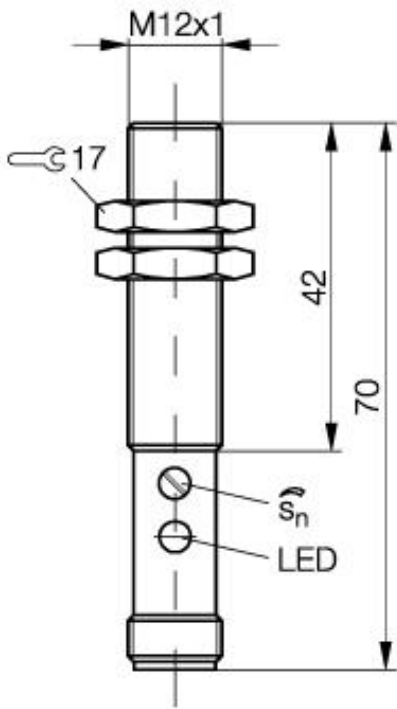


**Photoelectric Sensor  
BLE 12M-PA-1PD-S 4-C  
Sn=5000mm  
through-beam**



PX1288

**Common Data**

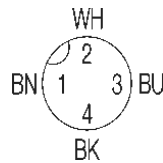
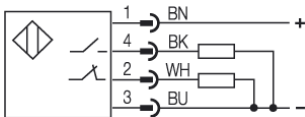
Series	12M
Sensortype	through-beam
Switching frequency	500 Hz
Rated operating distance Sn in mm	5000
asured operating distance Sa	adjustable
Indication Switching element on	yes, yellow LED
Ambient temperature	-15...+55°C
On-delay	1ms
Off-delay	< 5ms
Light	Red light
Sensitivity Adjustment	Poti
Permissible ambient light	5000 Lux
Output function	light-on or dark-on

**Mechanical Data**

Measurements	M12x70
Housing material	nickel plated brass
Material of sensing face	PMMA
Degree of protection	IP67
Connection	Connector S4 (M12)
Weighth	30g
Recommended connector	BKS-S20-8

**Electrical Data**

Current	DC
Switching function	NO/NC
Output	PNP
Rated operational voltage Ue	24V DC
Rated operational current Ie	200mA
Supply Voltage	10...30V DC
Ripple	< 10% from UB
Frequency of Supply Voltage	DC
No-load supply current	<20mA
Voltage drop	<2,5V
Short protection	yes
Protected against polarity reversal	yes
Rated insulation voltage	250V AC
Output resistance	33kOhm
max. Load capacity	1µF



Utilization categories  
Insulation class

DC 13  
I

Datasheet number:

Definitions see general catalog.  
If not otherwise noted, ratings according to  
IEC 60947-5-2 (DIN EN60947-5-2)

Balluff GmbH  
Schurwaldstrasse 9  
73765 Neuhausen a.d.F.  
Phone (07158) 173-0 Fax (07158) 5010

Datenblatt by CD-ROM - 04/2007

**BALLUFF**  
sensors worldwide